



Rotary encoder with LCD Switches SLB2

General Description

Display
 Size : 1.28inch Circle TFT
 Driver IC : GC9A01
 Interface Type : SPI (Serial Peripheral Interface)
 Power Supply : 3.3V
 Resolution : 240RGB(H) x 240(V)
 Display Color : Full Color, 262K(max.)
 Luminance(cd/m2) : 400(cd/m2)
 Backlight Type : White LED

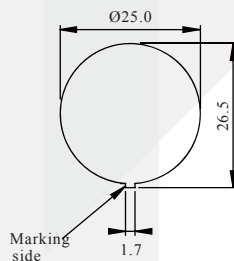
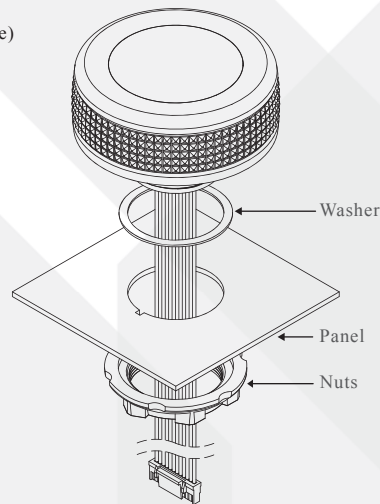
Encoder
 Transmissive Optical Sensor
 Power Supply : 5V
 Output Signal : HIGH & LOW
 Resolution : 36 step per revolution
 Operating Life : C.W. 100,000 cycles min.
 & C.C.W 100,000 cycles min.
 Operating Force : 1.5Kgf-cm (Max.)

Switch
 Contact Rating : 50mA, 12V DC
 Resolution : 0.5±0.3mm
 Operating Life : 100,000 cycles min.
 Operating Force : 800gf±300gf

Operation Temperature : -20°C~ 70°C
 IP Code : IP65

Materials
 Knob : Polyamide(PA)
 Lens : Polycarbonate (PC)
 Base : Polycarbonate (PC)
 Washer : NBR
 Nuts : Polyamide(PA)

Installation Notes

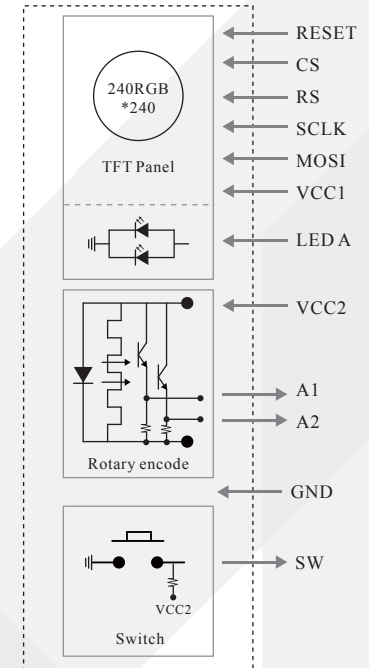
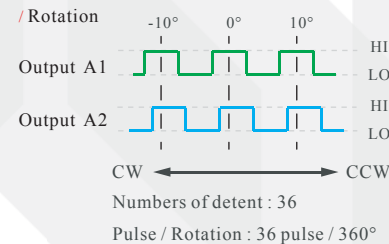


Panel cutting
 Panel thickness 1.5~4mm

Block Diagram

Pin function

Pin	Name	Function
1	LEDA	LCD Backlight VCC
2	SW N.O.	Switch N.O.
3	VCC2	Rotary Encode Optical Sensor Power
4	A1	Rotary Encode Signal, Output
5	A2	Rotary Encode Signal, Output
6	MOSI	LCD Data Signal, Input
7	SCLK	LCD Clock Signal, Input
8	RS	LCD Register Select Signal
9	CS	LCD Chip Select Signal, Input
10	RESET	LCD Reset Signal, Input
11	GND	Ground
12	VCC1	Switch COM.



The connector on the SLB2 module is similar JST GHR-12V-S
 Applicable Connector:
 Conductor pitch / 1.25mm
 Conductor width / 0.2mm



ShanPu

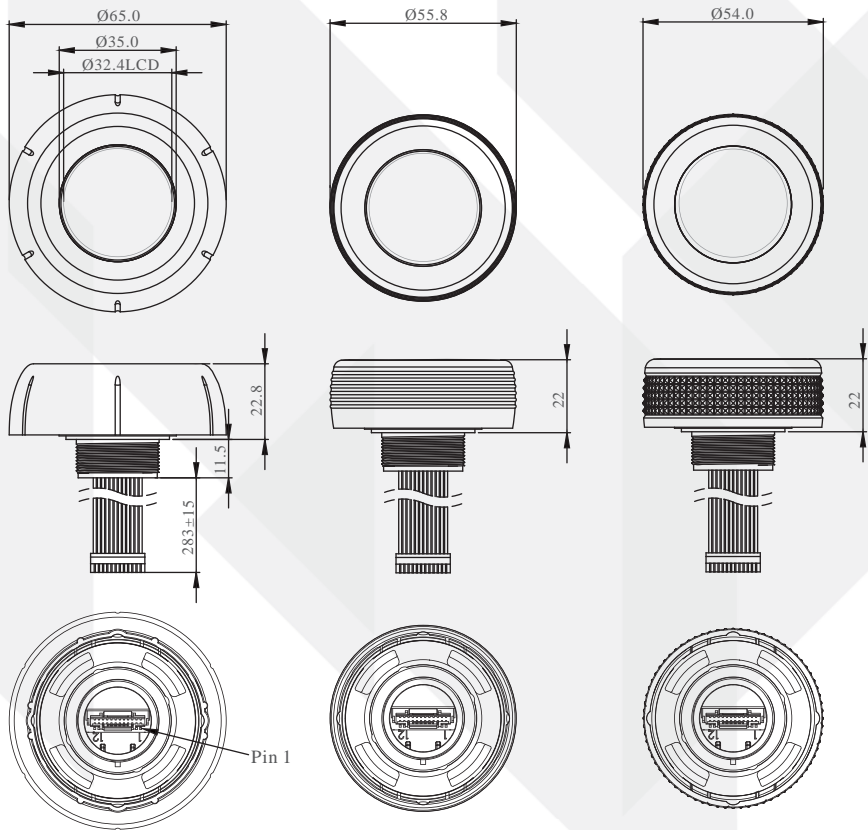
Rotary encoder with LCD Switches SLB2

Dimension

/ Knob type : P

/ Knob type : 1

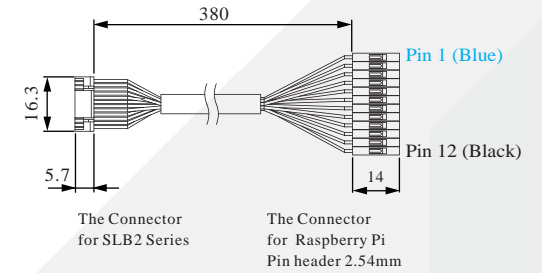
/ Knob type : 2



Option

/ Cable P/N : K-SLB-03

The SLB2 series connect to Raspberry Pi. though cable wire





Rotary encoder with LCD Switches SLB2

How to order



SLB2-PL | Knob type P / Silver / Plastic



SLB2-10 | Knob type 1 / Silver / Aluminum



SLB2-2L | Knob type 2 / Silver / Plastic



SLB2-P5 | Knob type P / Black / Plastic



SLB2-15 | Knob type 1 / Black / Aluminum



SLB2-25 | Knob type 2 / Black / Plastic