



## Multi-function encoder Switches Series SF42EA



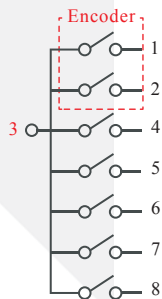
### Materials

- Cap / Knob :PC
- Housing :Aluminum
- Nuts :Aluminum
- Base :ABS
- SUS Washer :SUS
- Washer :EVA

### General Specifications

- Current Rating :1 mA
- Voltage Rating :10VDC with Resistive Load
- Vibration Resistance :10~55Hz, displacement 0.75mm(p-p)
- Contact Resistance :Max. 300mΩ
- (Measured by ohm meter-Open Voltage <1 VDC, Driver current-100mA)
- Insulation Resistance :Min. 100MΩ(100VDC/ minute)
- Operating Force :5 way switch Max. 300gf
- Mechanical Life :Encode Torque Max. 60gf-cm
- :Rotation - Min. 2,000,000 operations (C.W. 1,000,000 & C.C.W 1,000,000 operations)
- Operating Frequency :Push - Min. 1,000,000 operations
- :Rotation- Max. 30 operations per minute
- Push - Max. 120 operations per minute
- Operating Temperature :0 °C ~ +40 °C

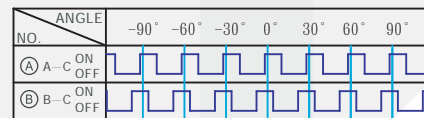
### Contact Configuration



Pin	Function
1	A-COM ON OFF
2	B-COM ON OFF
3	COM
4	SW1 N.O.
5	SW2 N.O.
6	SW3 N.O.
7	SW4 N.O.
8	SW5 N.O.

The Connector for SF42EA module similar JST B8B-PH-SM4-TB  
 Applicable Connector:  
 Conductor pitch / 2.0mm  
 Conductor width /□0.5mm

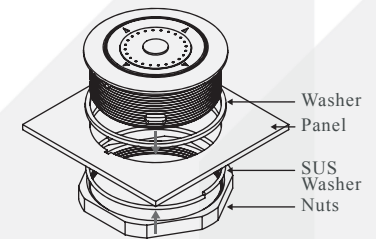
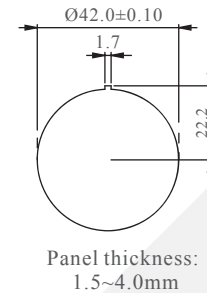
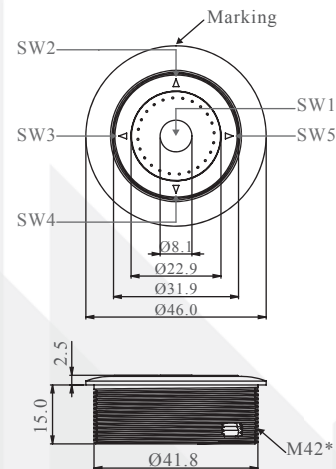
### Rotation



CW ← → CCW

Numbers of detent : 24  
 Pulse / Rotation : 12 pulse / 360°

### Dimension & Panel Cutting & Installation Notes



### How to Order



**SF42EA40**

White Cap /  
 White Knob /  
 Silver Housing



**SF42EA55**

Black Cap /  
 Black Knob /  
 Black Housing

### Option



Cable: YCW015  
 Cable:UL1007#26AWG  
 Conductor pitch : 2.0mm  
 Conductor width : □0.5mm