



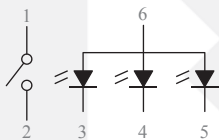
Illuminated Tactile Switches Series ZLS67 / ZLS70



General Specifications

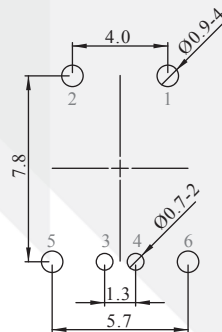
Circuit	:SPST
Current Rating	:50mA @ 12VDC
Contact Resistance	:100mOhm Max. (initial)
Insulation Resistance	:100MOhm Min.
Operating Force	:160gf ± 50gf
Total Travel	:0.2mm ± 0.1mm
Mechanical Life	:500,000 cycles Min.
Operating Temperature	:-25°C ~ +70°C
LED Color	:Red / Green / Blue
Materials	
Reflector	:Polyamide(PA)
Base	:Polyamide(PA)
Action Dome	:Stainless steel with silver plating
SW Terminal	:Brass silver plated over nickel under plating
LED Terminal	:Phosphor bronze silver plated over nickel under plating
Adapter	:Polyamide(PA)

▶ Circuit Diagram & PCB layout

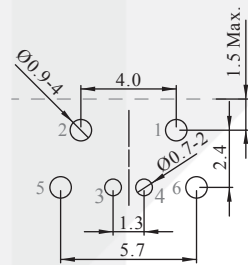


Pin	Function
1	SW COM.
2	SW N.O.
3	Green LED (-)
4	Red LED (-)
5	Blue LED (-)
6	LED (+)

Contact Configuration for ZLS67

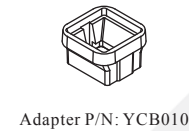


P.C.B. Layout for ZLS□□VH (Vertical switch)



P.C.B. Layout for ZLS□□AK (Right angle switch)

▶ How to Order for 6 Smart Cap & 9 Smart Cap



6
Page 33

6 Smart cap P/N:

+ **SMART CAP** =
Page 31

or



9
Page 39

9 Smart cap P/N:

▶ How to Order for Standard Cap

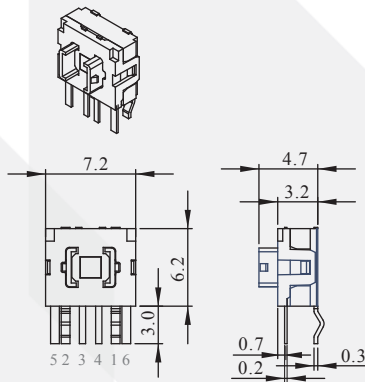




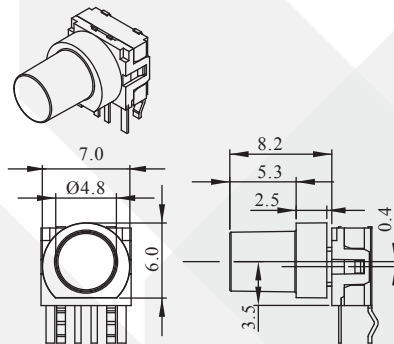
Illuminated Tactile Switches Series ZLS67 / ZLS70

Dimension of ZLS□□AK (Right angle switch)

/ZLS67AK-PBQ-A

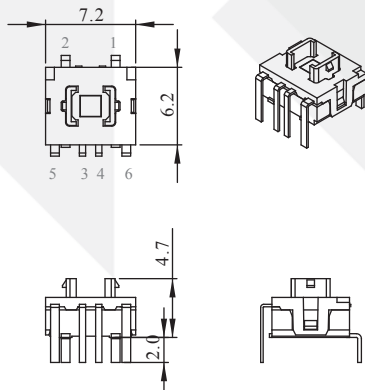


/ZLS67AK-PBR-A-R2□□□

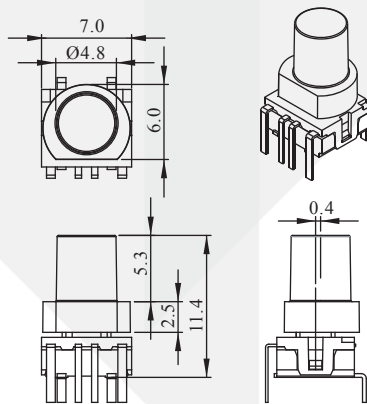


Dimension of ZLS□□VH (Vertical switch)

/ZLS67VH-PBQ-R



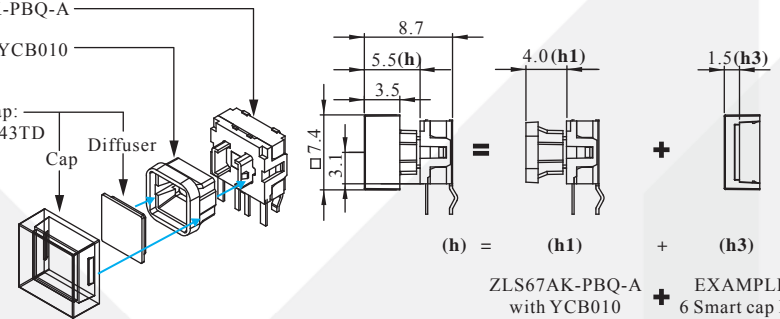
/ZLS67VH-PBR-A-R2□□□



Dimension of ZLS□□AK with 6 SMART cap

Switch:
ZLS67AK-PBQ-A
Adapter: YCB010

6 Smart cap:
ex: YCA043TD



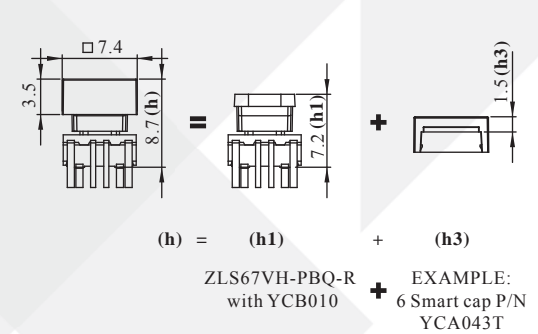
ZLS67AK-PBQ-A with YCB010 + EXAMPLE: 6 Smart cap P/N YCA043T

Dimension of ZLS□□VH with 6 SMART cap

6 Smart cap:
ex: YCA043TD

Adapter: YCB010

Switch:
ZLS67VH-PBQ-R

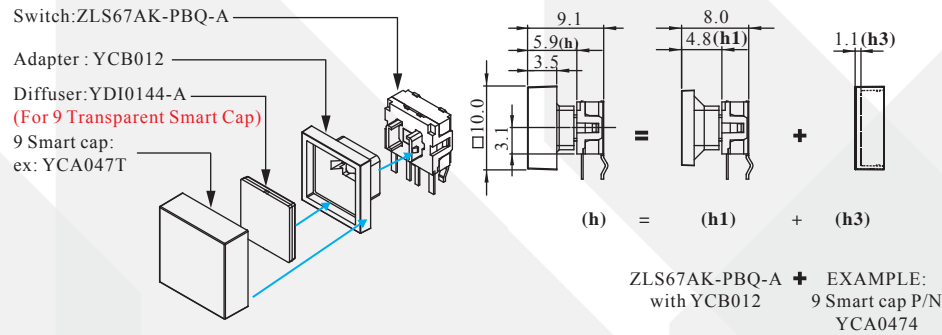


ZLS67VH-PBQ-R with YCB010 + EXAMPLE: 6 Smart cap P/N YCA043T

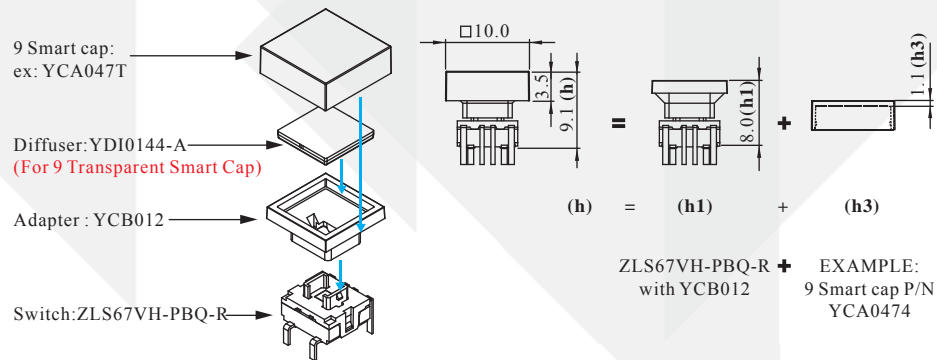


Illuminated Tactile Switches Series ZLS67 / ZLS70

Dimension of ZLS□□AK with 9 SMART cap



Dimension of ZLS□□VH with 9 SMART cap



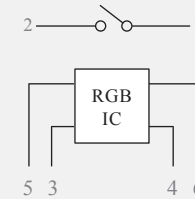
ZLS70



Pin	Function	Description
1	SW COM.	Switch Common
2	SW N.O.	Switch Normally Open
3	DOUT	DATA OUT
4	GND	GROUND
5	VDD	POWER VOLTAGE, 5V
6	DIN	DATA IN

Feature

- ZLS70 uses WS2812B 5V RGB led with programmable.
- RGB Led Can be connected in series to reduce wiring.



Contact Configuration

How to order ZLS70

EX:

RGB → P/N: ZLS67VH-PBQ-R

RGB with IC → P/N: ZLS70VH-ZBQ-R

Note

- ⚠ Pin3,6 suggest avoiding high frequency signal to avoid interference.
- ⚠ Wrong polarity may cause damage to the function.