



Pushbutton Switches Series SPC



General Specifications

Circuit	: SPDT or DPDT
Rating	: 3A 125/250V AC or 3A 30VDC
Contact Resistance	: 50 m Ohm Max(initial)
Insulation Resistance	: 200 M Ohm Min
Operating Force	: Single pole: 190gf±50gf Double pole: 200gf±50gf
Total Travel	: 2.3mm±0.5mm
Mechanical Life	: 1,000,000 cycles min. for Momentary. 200,000 cycles min. for Alternate.
Electrical Life	: 10,000 cycles min. for silver alloy contact
Operating Temperature	: -25°C ~ +50 °C
Function	: Momentary or Alternate

Material

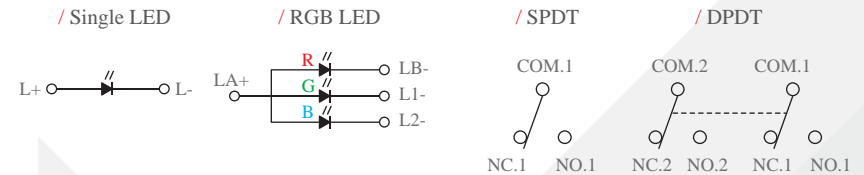
Cap	: Polycarbonate(PC)
Housing	: Polyamide (PA)
Snap-in Frame	: Stainless steel
Switch/LED Terminal	: Phosphor bronze (PBS) with gold plating
Movable Contacts	: Silver alloy
Spring	: Piano wire
Base	: Polyamide(PA)
LED	: Surface type LED

Features

- Bright LEDs of Single, RGB colors available.
- Full face illumination plus in square or rectangular models.
- Combination of PCB mounting and Panel snap-in.
- Small and short body for mounting in tight spaces.
- Snap-action contact mechanism.
- Momentary and Alternate available.

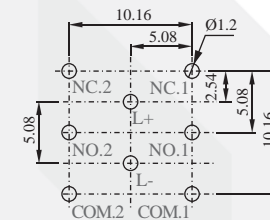
PAT. I 328825
PAT. ZL 2007 2 0141337. X

Contact Configuration

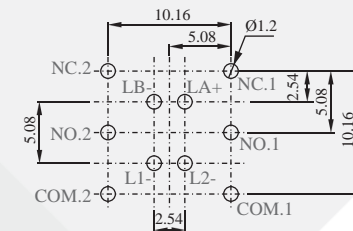


PCB Layout

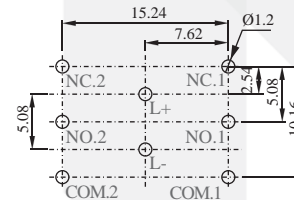
/ Single LED (Square Type)



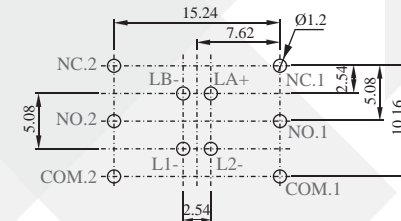
/ RGB LED (Square Type)



/ Single LED (Rectangular Type)



/ RGB LED (Rectangular Type)



Note:

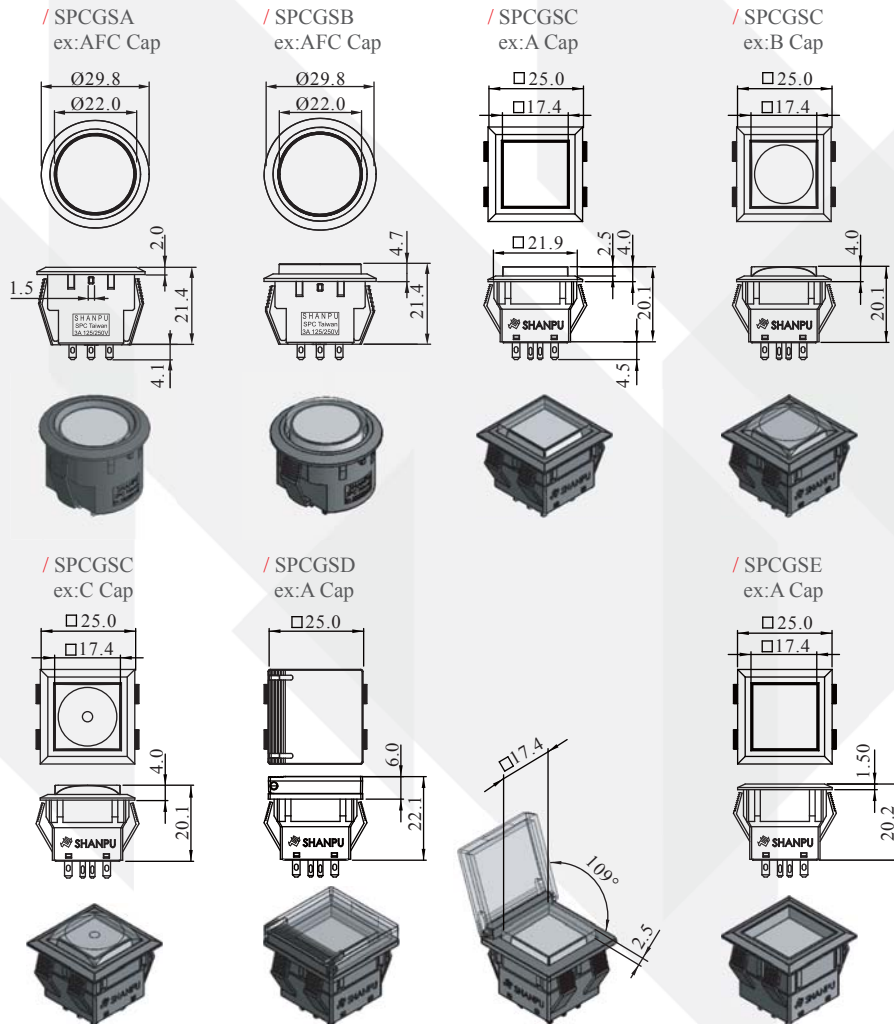
Single & Double Pole: Single pole do not have terminal Com2, NO.2. and NC2



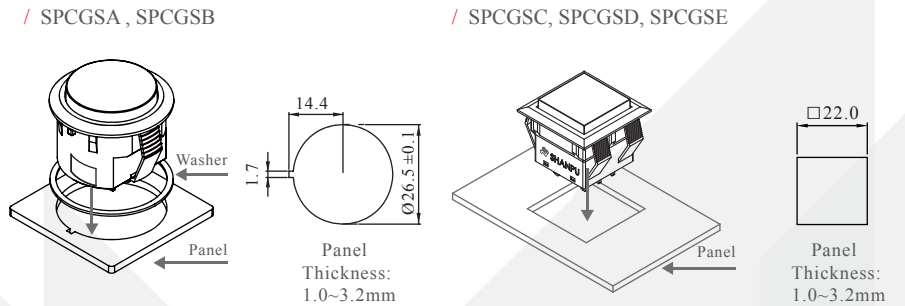
ShanPu

Pushbutton Switches Series SPC

Dimension (SPCGS)



Panel Cutting & Installation Notes (SPCGS)



How to order

SPCGS **5**

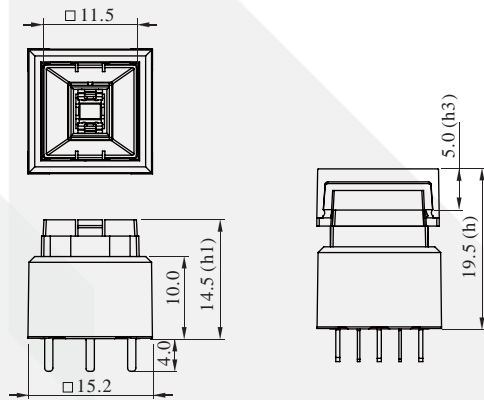
Button Convex/Flat		LED Colors		Housing Color		Cap Style / Color	
A	Round Flat	0	Without LED	5	Black	AFC	Ø22.0 Round Flat / Clear
B	Round Convex	Single Colors				AFCC	Ø22.0 Round Flat / Clear Black
C	Square Convex	1	Red			A	17.4 Square Flat / Clear
D	Square Convex Protective	2	Super Yellow			B	17.4 Square Concave / Clear
E	Square Flat	4	White			C	17.4 Square Spot key / Clear
		5	Pure Green				
		7	Blue				
		Tri-colors LED					
		9	RGB Full color				

EXAMPLE:
 SPCGSAMD95AFCC



Pushbutton Switches Series SPC

Dimension (SPCG)



EXAMPLE:
 SPCGMS1YCS0054
 (h1) 14.5mm + (h3) 5.0mm
 = (h)19.5mm
 From Page 43

How to order (SPCG)

SPCG

Function Code		LED Colors	
MS	Momentary, SPDT	0	Without LED
MD	Momentary, DPDT	Single Colors	
AS	Alternate, SPDT	1	Red
AD	Alternate, DPDT	2	Super Yellow
		4	White
		5	Pure Green
		7	Blue
		Tri-colors LED	
		9	RGB Full color

SMART
CAP Page 31

11.5
 Page 43

EXAMPLE:
 SPCGMS1YCS0054