



Multi-function encoder Switches Series SFA



Feature

- Rotary encoder
- Tactile switches
- LED Illuminated
- Marking service

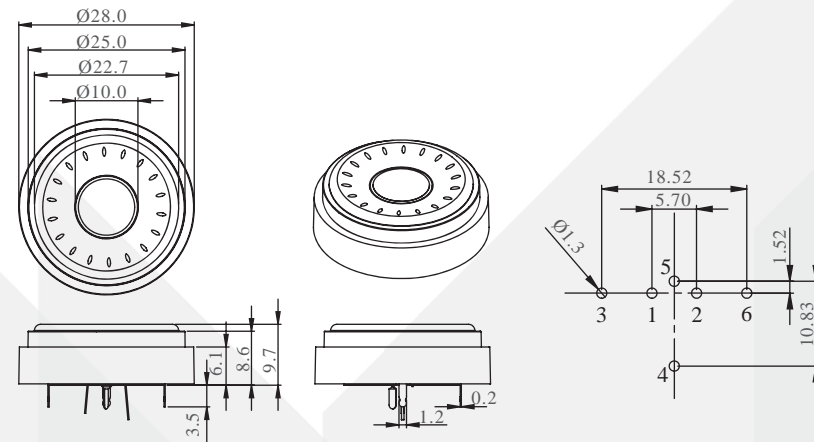
General Specifications

Current Rating	:1 mA
Voltage Rating	:10 VDC
Dielectric Withstanding	:250VAC for 1 minute
Voltage	
Contact Resistance	:300m Ohm Max.(initial)
Insulation Resistance	:100M Ohm Min.
Operating Force	:Rotation Max. 60gf·cm Push Max. 220gf±50gf
Mechanical Life	:Rotation - Min. 200,000 operations (C.W. 100,000 & C.C.W 100,000) Push - Min. 1,000,000 operations
Operating Temperature	: -0 °C ~ 40 °C

Materials

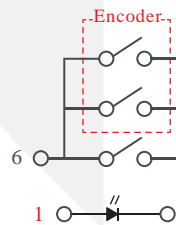
Knob	:Acrylonitrile Butadine Styrene (ABS)
Push Cap	:Polycarbonate (PC)
Terminal Base	:Brass with silver plating :Polyamide(PA)

Dimension & PCB layout



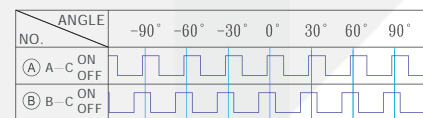
How to order

Contact Configuration



Pin	Function
1	LED(+)
2	LED(-)
3	A-Com ON OFF
4	B-Com ON OFF
5	SW N.O.
6	SW COM.

Rotation



Numbers of detent : 24
Pulse / Rotation : 12 pulse / 360°



SFA4551

White LED /
Black knob /
Paint Black Cap with Marking



SFA5441

Pure Green LED /
White knob /
Paint white Cap with Marking



SFA7552

Blue LED /
Black knob /
Paint Black Cap with Marking

- ※ Color is subject to actual product.
- ※ We provide Laser Marking service.