



- Feature**
- Panel cutting Ø39mm
 - IP65
 - 5 Key Navigation Switches
 - Yellow LED Illuminated
 - Metal Housing

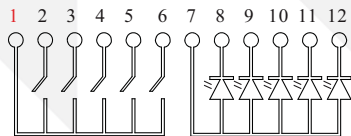
General Specifications

Circuit	: SP5T (Switch element)
Current Rating	: 50mA @ 12VDC
Contact Resistance	: 500m Ohm Max.(initial)
Insulation Resistance	: 100MOhm Min.
Operating Force	: 400gf±150gf(S1~4) 250gf±100gf(S5)
Total Travel	: 0.5mm ± 0.3mm
Mechanical Life	: 200,000 cycles Min.
Operating Temperature	: -25 °C~+60 °C

Materials

Housing	: Aluminum
Cap	: Polycarbonate (PC)
Nuts	: Polyamide (PA)
Base	: Polyamide (PA)
Washer	: NBR
SUS Washer	: SUS

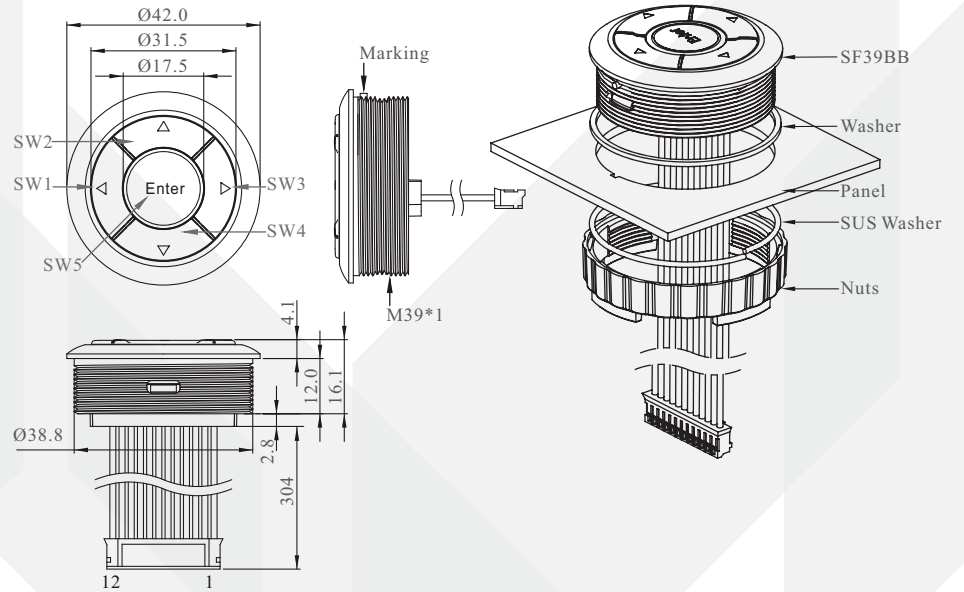
Contact Configuration



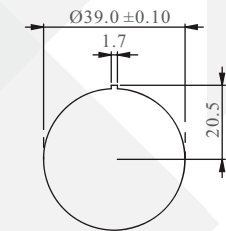
Pin	Function	Pin	Function
1	SW COM.	7	LED (+)
2	SW 1 N.O.	8	SW 1 LED(-)
3	SW 2 N.O.	9	SW 2 LED(-)
4	SW 3 N.O.	10	SW 3 LED(-)
5	SW 4 N.O.	11	SW 4 LED(-)
6	SW 5 N.O.	12	SW 5 LED(-)

Dimension & Panel cutting

SF39BB2011



The Connector for SF39BB module similar JST S12B-PH-K-S.
We recommend using
Cable socket: JST PHR-12 or similar.
Contact: JST SPH-002T-P0.5S or similar.



Panel thickness:
1.5~4mm