



# ShanPu

## Navigation Switches Series SF30BC / SF30BD



### Feature

- Panel cutting Ø30mm
- Front Panel IP67
- 6 Key Navigation Switches
- LED Illuminated
- Metal Housing
- Voltage divider circuit decrease switches pinout

### General Specifications

Circuit	: SP6T (Switch element)
Switch Rating	: 50mA @ 12VDC Max.
LED Power	: 30mA @ 12VDC(SF30BC) 20mA @ 5VDC(SF30BD)
Operating Force	: 400gf ± 200gf (S1~S4) 250gf ± 100gf (S5~S6)
Total Travel	: 0.5mm ± 0.3mm
Mechanical Life	: 200,000 cycles Min.
Operating Temperature	: -25°C ~ + 60 °C
IP Code	: IP67

### Materials

Housing	: Aluminum
Cap	: Polycarbonate (PC)
Reflector	: Silicone
Nuts	: Polyamide(PA)
Washer	: NBR
SUS Washer	: SUS

### Configuration

#### / SF30BC with LED

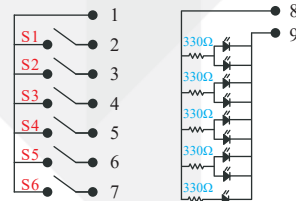
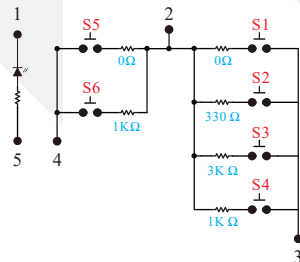
Pin	Function
1	GND
2	VCC
3	OUTPUT A
4	OUTPUT B
5	LED VCC

#### / SF30BC Without LED

Pin	Function
1	NON
2	VCC
3	OUTPUT A
4	OUTPUT B
5	NON

#### / SF30BD

Pin	Function	Pin	Function
1	SW COM.	7	SW 6 N.O.
2	SW 1 N.O.	8	LED (+)
3	SW 2 N.O.	9	LED (-)
4	SW 3 N.O.	10	NON
5	SW 4 N.O.	11	NON
6	SW 5 N.O.	12	NON



### How to order



**SF30BC0051**  
Without LED /  
Silver Housing /  
Black Cap with Marking 1



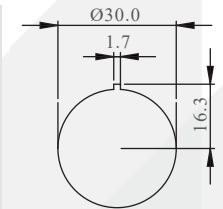
**SF30BC7552**  
Blue LED /  
Black Housing /  
Black Cap with Marking 2



**SF30BD1051**  
Red LED /  
Silver Housing /  
Black Cap with Marking 1

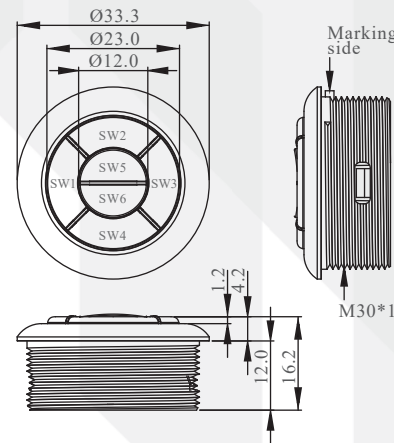
- ※ Color is subject to actual product.
- ※ We provide Laser Marking service.

### Panel cutting



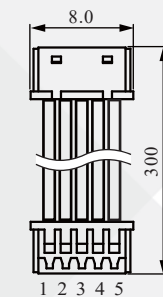
Panel thickness :  
1.5~4.0mm

### Dimension



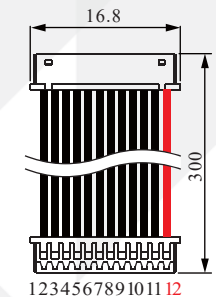
### Option

#### / For SF30BC



Cable: YCW030-A  
Cable: UL1571#28AWG  
Conductor pitch : 1.25mm  
Conductor width : □0.3mm

#### / For SF30BD



Cable: YCW024  
Cable: UL1571#28AWG  
Conductor pitch : 1.25mm  
Conductor width : □0.3mm