



## Piezoelectric Buzzer Indicator Series SF30BB



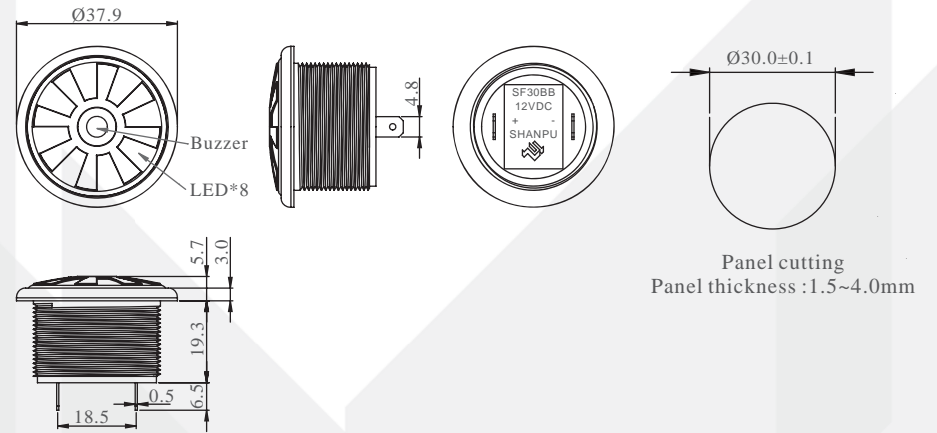
### General Specifications

Operating Voltage	:3~15 VDC
Voltage Rating	:12 VDC
Current Consumption	:25mA Max. at 12 VDC
Sound pressure Level	:95dB Min. at 30cm at 12 VDC
Oscillation Frequency	:3.0 ± 0.5 KHz
Tone / Pulse Rate	:Fast Pulse 3.0 sec. ± 20% at 12 VDC
Operating Temperature	:-20 °C ~ +70 °C
IP Code	:IP68

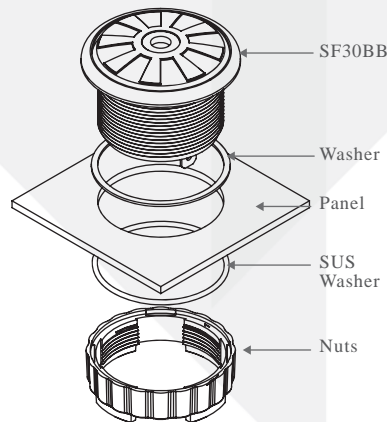
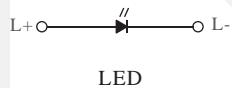
### Materials

Housing	:Aluminum
Cap	:Polycarbonate (PC)
Lead Pin	:Tin plated brass
Washer	:NBR
SUS Washer	:SUS
Nuts	:Polyamide(PA)

### Dimension & Panel Cutting



### Configuration & Installation Notes



### How to order

<b>SF30BB10</b> Red Cap / Silver Housing	<b>SF30BB20</b> Yellow Cap / Silver Housing	<b>SF30BB30</b> Green Cap / Silver Housing	<b>SF30BB70</b> Blue Cap / Silver Housing