



## Illuminated Capacitive Touch Switches Series SF25BB



### General Specifications

Switch Type	:Capacitive type
Switch Operation	:Momentary / Alternate
Power supply voltage	: 5VDC (SF25BBAL LED) 5 ~24VDC(SF25BBB output) 5 ~24VDC(SF25BBB)
Current consumption	:80 mA max.
Output type	:NPN
Switching capacity	:200 mA
Operating Temperature	:-10 °C ~ +55 °C
<b>Materials</b>	
Cap	:SUS or Polycarbonate (PC)
Base	:Acrylonitrile Butadiene Styrene (ABS)
Housing	:SUS
Nuts	:Polyamide (PA)
Washer	:Rubber

### Feature

- Panel cutting Ø25mm
- Front Panel IP65
- Capacitive touch switch
- RGB LED Illuminated
- Automatic detection environment, touch more stable will not be misjudged
- Metal Housing

### Application

- Medical equipment
- Automated control
- Home automation
- Security system
- Broadcast equipment
- Studio equipment

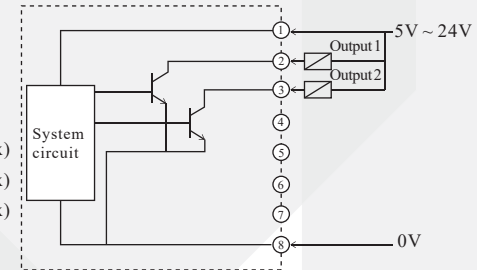
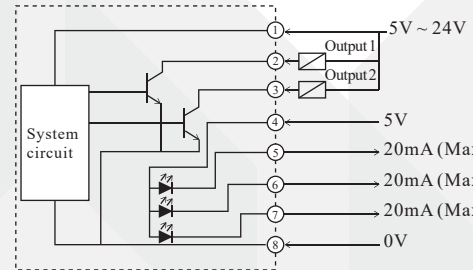
### Circuit Diagram

/ Function Type A :  
LED external control

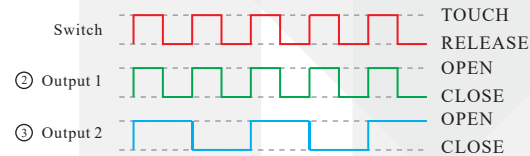
Pin	Function
1	VCC
2	OUTPUT 1 (Momentary)
3	OUTPUT 2 (Alternate)
4	LED VCC
5	RED
6	GREEN
7	BLUE
8	GND

/ Function Type B :  
Adjustable LED

Pin	Function
1	VCC
2	OUTPUT 1 (Momentary)
3	OUTPUT 2 (Alternate)
4	NON
5	NON
6	NON
7	NON
8	GND



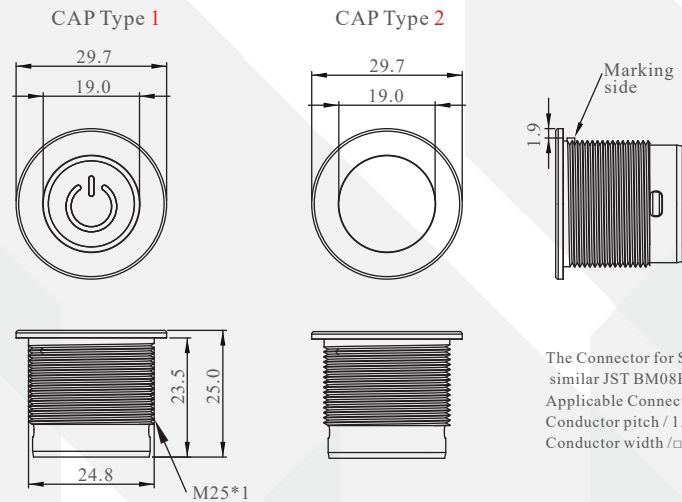
### Operation mode





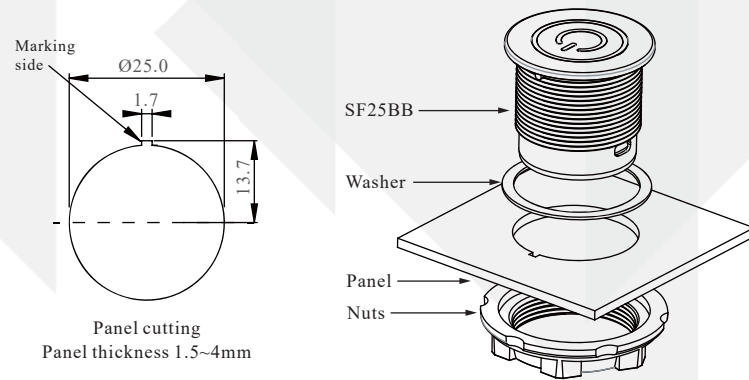
## Illuminated Capacitive Touch Switches Series SF25BB

### Dimension



The Connector for SF25BB module similar JST BM08B-SRSS-TB  
 Applicable Connector:  
 Conductor pitch / 1.0mm  
 Conductor width /  $\phi$ 0.2mm

### Installation Notes & Panel Cutting



### How to order



**SF25BBA2**  
 Function Type A /  
 Cap type 2



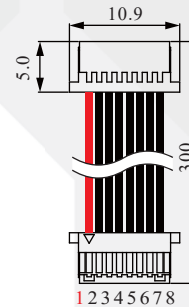
**SF25BBB1AB75**  
 Function Type B / Cap type 1  
 Stand by : Blue LED /  
 Trigger : Green LED(Alternate)



**SF25BBB1MC15**  
 Function Type B / Cap type 1  
 Stand by : Red LED /  
 Trigger : Green LED(Momentary)

- ※ Function Type A : LED external control
- ※ Function Type B : Adjustable LED

### Option



Cable: YCW014  
 Cable: UL3302#28AWG  
 Conductor pitch : 1.0mm  
 Conductor width :  $\phi$ 0.2mm