



Multi-function encoder Switches Series SF25BA



General Specifications

| | |
|-----------------------|---|
| Resolution | :24 pulses / 360° |
| Circuit | :SPST (Push) |
| Current Rating | :0.5 mA (Rotation) :10 mA (Push) |
| Voltage Rating | :5 VDC |
| Contact Resistance | :500m Ohm Max.(initial)for Push |
| Insulation Resistance | :100M Ohm Min. |
| Operating Force | :Rotation Max. 30~200gf.cm Push Max. 450gf±200gf |
| Switching stroke | :0.5(+0/-0.3)mm |
| Mechanical Life | :Rotation - 30,000 operations Push - 20,000 operations |
| Operating Temperature | :-10 °C ~ +70 °C |

Materials

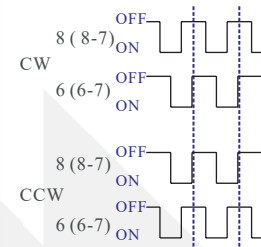
| | |
|-----------------|---------------------|
| Housing | :Polyamide (PA) |
| Cap | :Polycarbonate (PC) |
| Waterproof part | :Silicone rubber |
| Nuts | :Polyamide(PA) |
| Washer | :Rubber |

Feature

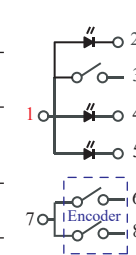
- Panel cutting Ø25 mm
- Front Panel IP65
- Push Switches
- Dual, RGB LED Illuminated
- Marking service

Contact Configuration

/ Rotation

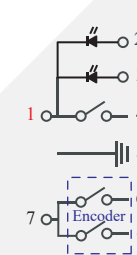


/ RGB LED



| Pin | Function |
|-----|--------------|
| 1 | SW COM. |
| 2 | LED+ |
| 3 | Blue LED(-) |
| 4 | SW N.O. |
| 5 | Green LED(-) |
| 6 | Red LED(-) |
| 7 | B-COM. |
| 8 | COM. |

/ Dual LED

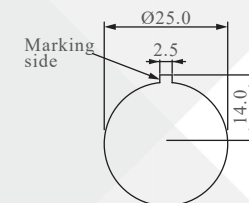
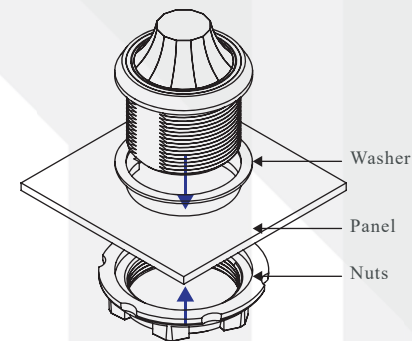


| Pin | Function |
|-----|--------------|
| 1 | SW COM. |
| 2 | LED- |
| 3 | Green LED(+) |
| 4 | Red LED(+) |
| 5 | SW N.O. |
| 6 | Ground |
| 7 | B-COM. |
| 8 | COM. |

Numbers of detent : 24
Pulse / Rotation : 24 pulse / 360°
for each phase.(1 click 1 pulse)

The Connector for SF25BA module
similar JST BM08B-SRSS-TB
Applicable Connector:
Conductor pitch / 1.0mm
Conductor width / 0.2mm

Installation Notes & Panel Cutting



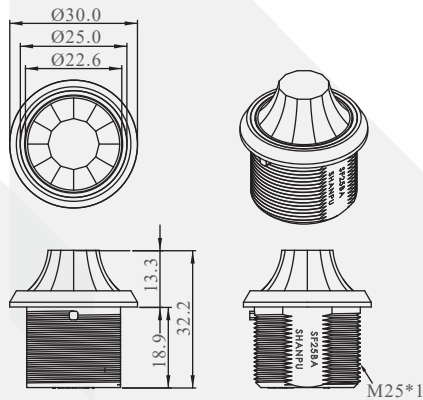
Panel thickness
1.5~4mm



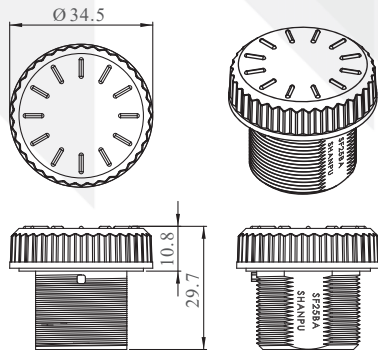
Multi-function encoder Switches Series SF25BA

Dimension

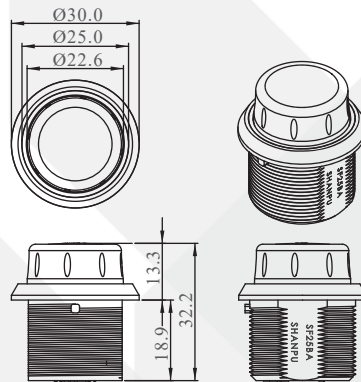
/ Knob type :Type 1, Type 2



/ Knob type :Type 5, Type 6



/ Knob type :Type 3, Type 4



How to order



SF25BAK551

Green , Red LED /
Black Housing /
Black Cap type 1



SF25BA9552

Red , Green , Blue LED /
Black Housing /
Black Cap type 2



SF25BA9553

Red , Green , Blue LED /
Black Housing /
Black Cap type 3



SF25BAK554

Green , Red LED /
Black Housing /
Black Cap type 4



SF25BA9555

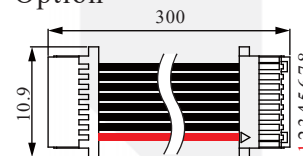
Red , Green , Blue LED /
Black Housing /
Black Cap type 5



SF25BA9556

Red , Green , Blue LED /
Black Housing /
Black Cap type 6

Option



Cable: YCW014
Cable: UL3302#28AWG
Conductor pitch : 1.0mm
Conductor width : 0.2mm