



## LED Ring type indicator **SBA**



### General Specifications

Current Rating :20mA  
 Voltage Rating :2~3.7 V  
 Solder Specifications :260 deg. for 3 seconds  
 Operating Temperature :-20 °C~+70 °C

### Materials

Cap :Polyamide (PA)  
 Diffuser :Polycarbonate(PC)  
 PCB :Copper Clad Laminate (CCL) with gold plating  
 Connector :PA+Brass with gold plating

### Feature

- 24 LED Ring type indicator
- Height and center hollow housing are designed suit for rotary switch, encoder or VR
- Marking services

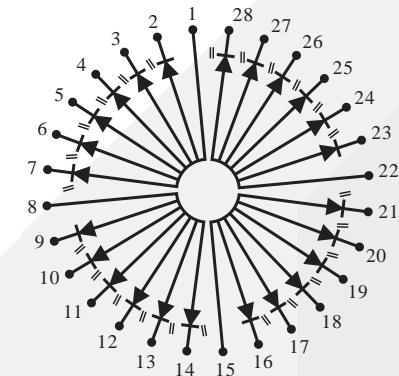
### **NEW** RGB+IC Feature

- Uses WS2812B 5V RGB led with programmable .
- RGB Led Can be connected in series to reduce wiring.
- 24 RGB+IC LED Ring type indicator.

### Circuit Diagram

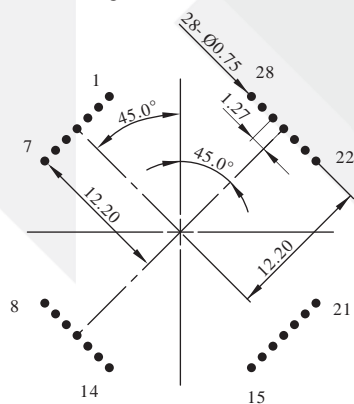
#### / SBA (Single LED)

Pin	Function	Pin	Function
1	LED 1~6 COM(+)	15	LED 13~18 COM(+)
2	LED 1 (-)	16	LED 13 (-)
3	LED 2 (-)	17	LED 14 (-)
4	LED 3 (-)	18	LED 15 (-)
5	LED 4 (-)	19	LED 16 (-)
6	LED 5 (-)	20	LED 17 (-)
7	LED 6 (-)	21	LED 18 (-)
8	LED 7~12 COM(+)	22	LED 19~28 COM(+)
9	LED 7 (-)	23	LED 19 (-)
10	LED 8 (-)	24	LED 20 (-)
11	LED 9 (-)	25	LED 21 (-)
12	LED 10 (-)	26	LED 22 (-)
13	LED 11 (-)	27	LED 23 (-)
14	LED 12 (-)	28	LED 24 (-)



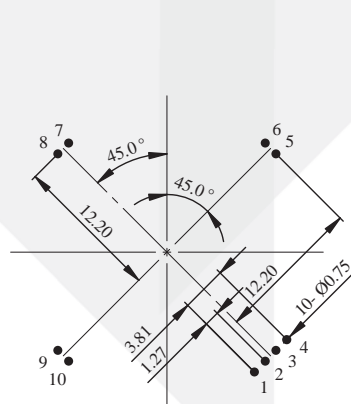
### PCB layout

#### / SBA (Single LED)



P.C.B mounting hole

#### / SBA(RGB+IC)



P.C.B mounting hole

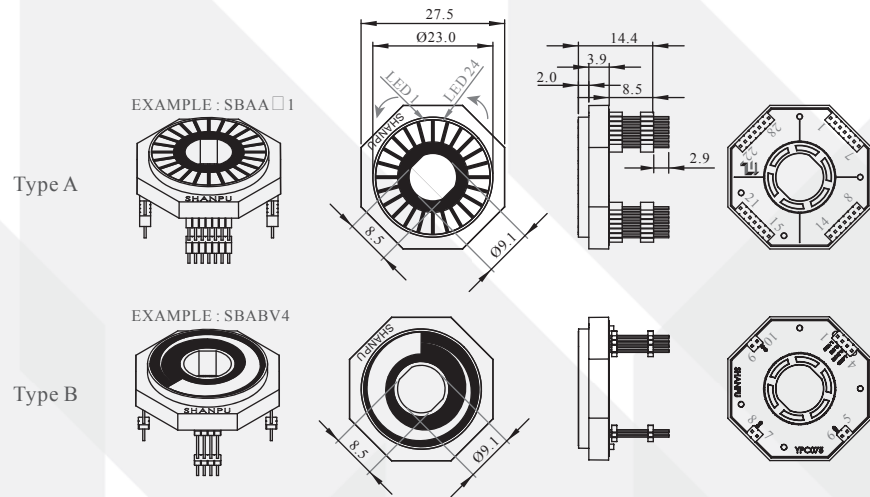
#### / SBA(RGB+IC)

PIN	Function	Description
1	VCC	POWER VOLTAGE,5V
2	DIN	DATA IN
3	DOUT	DATA OUT
4~10	GND	GROUND



## LED Ring type indicator SBA

### Dimension



### How to Order

S B A □ □ □

Type	
A	Distinct illuminated
B	Diffusion illuminated

LED color	
1	Red
2	Yellow
3	Green
5	Pure Green
7	Blue
V	RGB+IC

Marking Type		
1	2	3
4	5	6
7	8	9